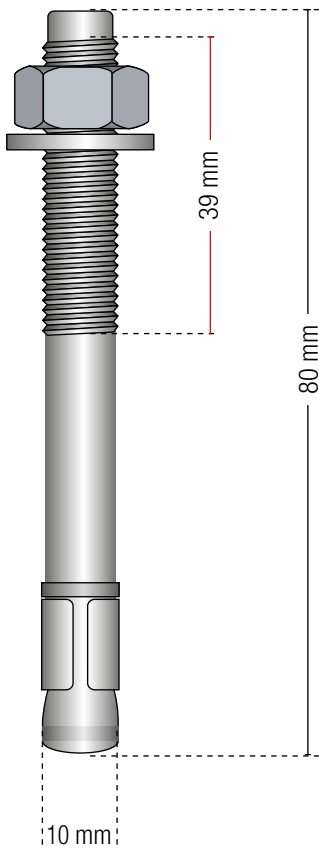


# Axellent X-Guard<sup>®</sup> Anchor Bolt

## » Assembly instruction



### Anchor Bolt Article no. 10-9932

Dimension M10x80 mm, steel, zincplated

Anchor allowed to use for non-cracked concrete

For indoor use only

Two ways of assembling possible:

"pre-plug-" and "Through-mounting"

Assembly						
Dimension	Length	Thread Length	Drill	Min assembling depth - A	Torque	Max assembling thickness - B
M10	80 mm	39 mm	Ø 10 mm	40 mm	30 Nm	27 mm

Loadings							
Assembling depth 40 mm				Assembling depth 60 mm			
Pull out force concrete		Shearforce concrete		Pull out force concrete		Shearforce concrete	
K25	K40	K25	K40	K25	K40	K25	K40
2,2 kN	3,1 kN	1,6 kN	2,2 kN	4,0 kN	5,6 kN	5,7 kN	6,5 kN

